

twilight

INSTRUMENTOS DE MEDICIÓN INDUSTRIAL

Detector de alto voltaje SW-278HP

www.twilight.mx

 / [twilightsadecv](#)

 / [twilightsadecv](#)

 / [twilightsadecv](#)

SEW

NON-CONTACT HIGH VOLTAGE DETECTOR

The 278 HP is a new water-proof design tool for checking the presence of AC high voltages and low voltages. It has eight voltage detection settings from 240Vac to 275kVac.

The 278 HP provides a non-contact detection of AC voltages with an internal pickup sensor plate.

- **Protection class : IP65**
- **3 LED indicators in a circle for easier viewing in any directions (360° LED indication).**
- 8 voltage settings : 240V, 2kV, 6kV, 11kV, 22kV, 33kV, 132kV, 275kV
- High bright LED visual indication.
- With the longer shelter to make the 3 LED indicators brighter under the sun.
- Sound indication.
- Easy-to-prove method.
- Self-test function.
- Power source : 1.5V "C" type battery × 3
- High impact nylon casing.
- Non-contact work by proximity.
- Compatible with most hot sticks.
- Lightweight, robust & compact.
- Suitable for indoor and outdoor use.
- Easy access to batteries.
- ✘ **Special ranges are available upon request.**
- ✘ **The maximum detection range can be 500kV.**
- Safety standard : EN 61326-1 CISPR 11
EN 61000-4-2 EN 61000-4-3
EN 61000-4-8

Taiwan Patent : M489287
D170390



CE

IP65

- Use the hot stick HS-175 or HS-120 for high voltage detection.



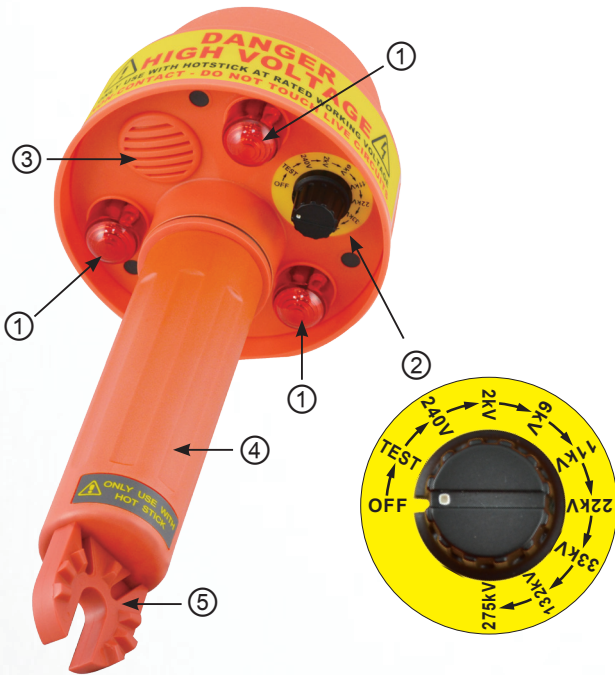
STANDARD ELECTRIC WORKS CO., LTD.
www.sew.com.tw



8 voltage settings :
240V, 2kV, 6kV, 11kV, 22kV
33kV, 132kV, 275kV

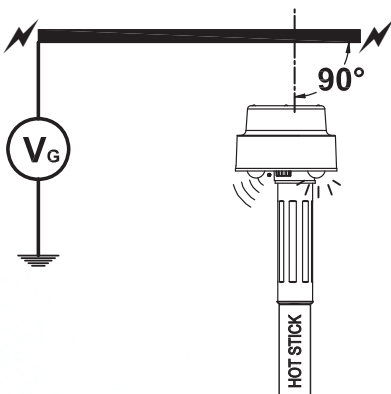
Model
278 HP

INSTRUMENT LAYOUT



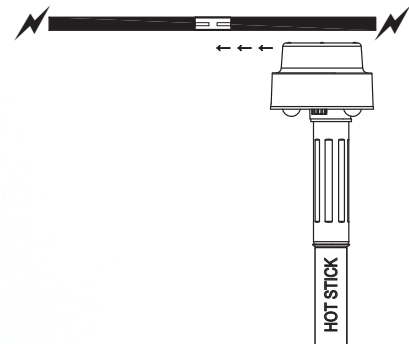
- ① LED indicators
- ② Rotary selector with the settings listed below :
 - OFF – Turn the pick-up sensor off
 - Test – Check if the entire circuitry is working
 - 240V, 2kV, 6kV, 11kV, 22kV, 33kV, 132kV, 275kV
- ③ Buzzer
- ④ Battery holder
- ⑤ Adapter end

The ideal detection angle

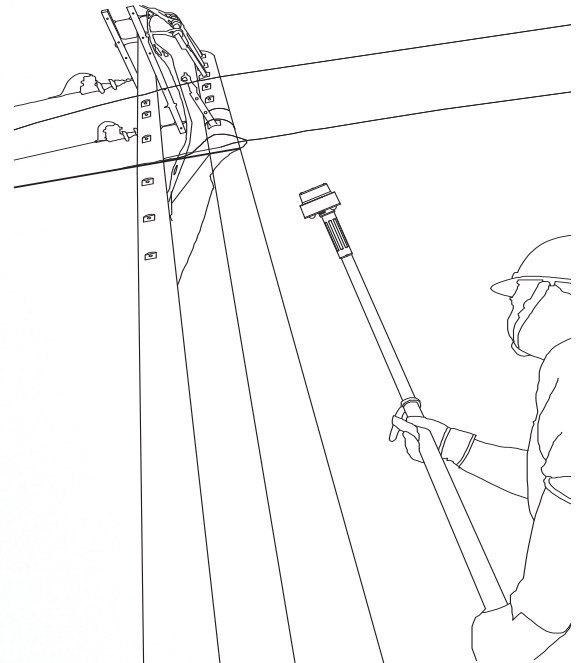


APPLICATIONS

- Non-contact detection of live voltages.
- Find faults in cables.
- Check and detect live high voltage cables.
- Trace live wires.
- Check high frequency radiation.
- Check grounding equipment.
- Detect residual or induced voltages.



- For finding a break of cable



- Check and detect live high voltage cables (using extension hot stick).

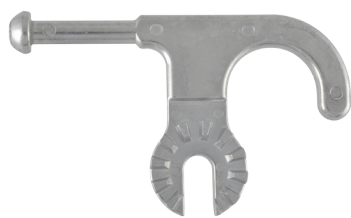
MODELS LIST

Model code	Range
275kV01	OFF--TEST--240V--2kV--6kV--11kV--22kV--33kV--132kV--275kV
275kV02	OFF--TEST--240V--3.3kV--6.6kV--11kV--22kV--33kV--66kV--132kV--275kV
275kV03	OFF--TEST--240V--11kV--22kV--33kV--66kV--110kV--132kV--210kV--275kV
275kV04	OFF--TEST--240V--2.3kV--6kV--11kV--22kV--33kV--132kV--275kV
275kV05	OFF--TEST--240V--2kV--6kV--11kV--22kV--33kV--132kV----230kV--275kV
500kV01	OFF--TEST--240V--3.3kV--11kV--22kV--33kV--66kV--110kV--220kV--330kV--500kV
500kV02	OFF--TEST--240V--4.2kV--15kV--69kV--115kV--230kV--345kV--500kV
500kV03	OFF--TEST--240V--69kV--115kV--138kV--230kV--500kV
500kV04	OFF--TEST--230V--3kV--6kV--10kV--35kV--66kV--110kV--220kV--330kV--500kV
500kV05	OFF--TEST--240V--4.2kV--35kV--69kV--115kV--230kV--345kV--500kV
500kV06	OFF--TEST--400V--15kV--24kV--110kV--220kV---500kV
500kV07	OFF--TEST--240V--4.2kV--15kV--69kV--138kV--230kV--345kV--500kV
230kV01	OFF--TEST--240V--69kV--115kV--138kV--230kV
230kV02	OFF--TEST--240V--4.2kV--15kV--25kV--35kV--69kV--115kV--230kV
220kV01	OFF--TEST--240V--3.3kV--6.6kV--11kV--22kV--33kV--66kV--110kV--220kV
220kV02	OFF--TEST--0.22kV--6kV--10kV--35kV--110kV--220kV
220kV03	OFF--TEST--240V--1kV--3.3kV--6.6kV--11kV--22kV--33kV--66kV--132kV--220kV
220kV04	OFF--TEST--240V--11kV--33kV--132kV--330kV
33kV01	OFF--TEST--33kV
11kV01	OFF--TEST--11kV
115kV01	OFF--TEST--240V--11kV--15kV--34.5kV--69kV--115kV

• Special ranges are available upon request .

SPECIFICATIONS

Operating temperature	-10°C ~ 50°C
Storage temperature	-20°C ~ 60°C
Humidity	85% R.H. @40°C
Case height	265 mm
Case width	117 mm
Weight (battery included)	Approx. 600g
Power source	1.5V "C" × 3 Alkaline batteries
Accessories	Instruction manual Disconnect hook Fuse extractor head Carry case Batteries



Disconnect hook
(HOK-HS166)



Fuse extractor head
(ADP-HS120)

Disconnect
hook

Fuse extractor
head



• Carry case (TOC-278)

twilight

INSTRUMENTOS DE MEDICIÓN INDUSTRIAL



LLÁMANOS

+52(81) 8115-1400 / +52 (81) 8173-4300

LADA Sin Costo:
01 800 087 43 75

E-mail:
ventas@twilight.mx

www.twilight.mx



/ [twightsadecv](https://www.facebook.com/twightsadecv)



/ [twightsadecv](https://twitter.com/twightsadecv)



/ [twightsadecv](https://www.youtube.com/twightsadecv)